



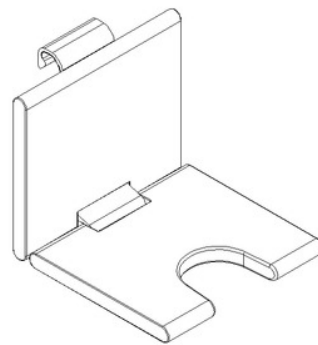
# NORMBAU

PASSION FOR CARE

## Nylon/Inox Care Suspendable lift up shower seat 0847719, hygienic

450 x 563 x 406mm, with padded hygienic seat carrying bracket and bracket made of aluminium, scratch-resistant powder coating with antibacterial protection, available in colour metallic anthracite (095), with padded seat, made of PUR integral foam, colour anthracite, with non-corrosive metal core throughout, with maintenance-free brake, locked in the upright position, space saving, space required in lift-up position 197mm from wall, can be suspended from Inox-Care® and Nylon Care shower handrails, maximum loading permitted: 150 kgs. according German standard DIN 18040-1 and Austrian standard ÖNORM B 1600, for 850mm top edge of shower handrail

Product code	0847719
Product group	2000



NORMBAU GmbH  
Schwarzwaldstraße 15  
77871 Renchen/Germany  
Telefon +49(0)7843 / 704 - 0  
Telefax +49(0)7843 / 704 - 43  
[www.normbau.de](http://www.normbau.de) / [normbau@allegion.com](mailto:normbau@allegion.com)

  
**ALLEGION**